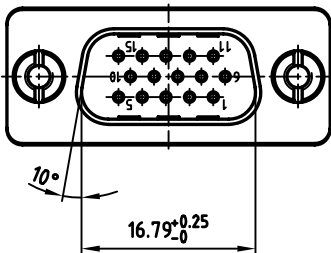
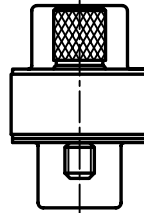
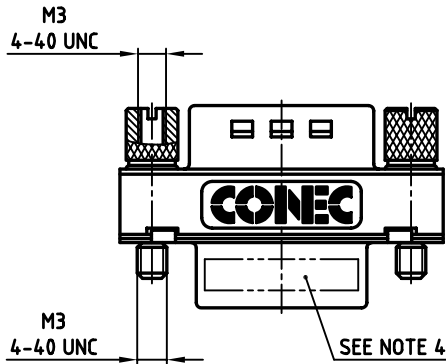
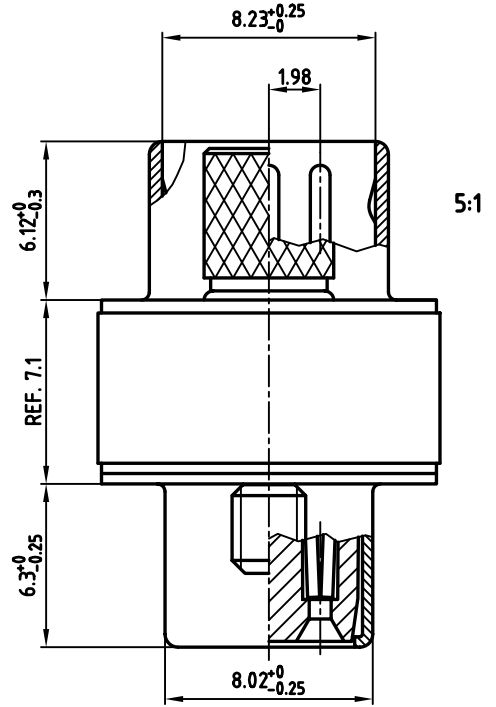
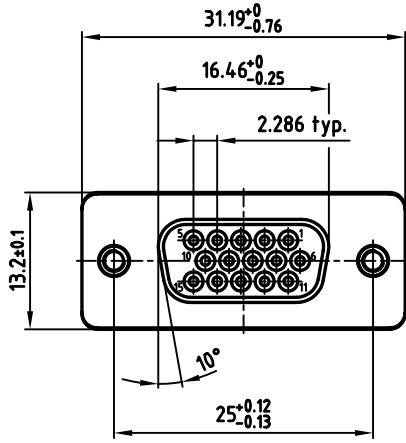


used for: D-SUB HD FILTER ADAPTER

		PART NO.	
FILTER	CAPACITANCE	M3	4-4.0 UNC
TYPE 1	180pF±20%	243811720X	243811600X
TYPE 3	370pF±20%	243811760X	243811640X
TYPE 4	830pF±20%	243811800X	243811680X



NOTES:

- METALSHELLS: STEEL; min. 315µm TIN over 40-80µm NICKEL
- INSULATORS: PBT GF UL 94 V-0, BLACK
- CONTACTS: COPPER ALLOY
 PLATING: § USE A FOR QUALITY CLASS 3 (8µm HARD GOLD OVER min. 50µm NICKEL)
 § USE B FOR QUALITY CLASS 2 (20µm HARD GOLD OVER min. 50µm NICKEL)
 § USE C FOR QUALITY CLASS 1 (30µm HARD GOLD OVER min. 50µm NICKEL)
- CONNECTOR IS PART MARKED: PART-NO. CONEC ABC

Directive 2002/95 EC
RoHS
Compliant

APPROVAL # FREIGABE # DEBLOCAGE # AUTOR/ZACIION # APPROVAL

CUSTOMER APPROVAL DATE:

NAME: TITLE:

COMPANY NAME:

APPROVAL # FREIGABE # DEBLOCAGE # AUTOR/ZACIION # APPROVAL

THIS DRAWING MAY NOT BE COPIED OR REPRODUCED IN ANY WAY, AND MAY NOT BE PASSED ON TO A THIRD PARTY WITHOUT WRITTEN PERMISSION. OWNERSHIP AND COPYRIGHT OF CONEC GmbH DO NOT ALTER CAD DRAWING BY HAND

rev.	description	date	name	tolerance	dim. in mm
1 x b	Ä 2535	18.07.2006	Lehmen	1997	date name
a	Origin			drawn	28.01. Barcinski
				appd.	28.01. Mickenbecker
				norm	DIN 41652
				d-old	

scale: 2:1 (5:1)
material: SEE NOTES

title: D-SUB HD FILTER ADAPTER
15pos.

dwg no: AutoCAD 2006 DIN-A
24K11P7A 3
sh:1/1

part no: SEE TABLE

6

5

4

2

1